

TPS60251EVM-192

Contents

1	Introduction	1
2	Setup	2
3	Board Layout	6
4	Schematic and Bill of Materials	9

List of Figures

1	TPS6025x Software Screenshot.....	5
2	Assembly Layer	6
3	Top Layer Routing.....	7
4	Bottom Layer Routing	8
5	TPS60251EVM-192 Schematic.....	9

List of Tables

1	Factory EVM Jumper Settings	4
2	TPS60251EVM-192 Bill of Materials	10

1 Introduction

The Texas Instruments TPS60251EVM-192 evaluation module (EVM) assists designers to evaluate the operation and performance of the TPS60251 white LED (WLED) driver for applications that are powered with one Li-ion or Li-polymer cell and require two or three separate banks of WLEDs. The TPS60251 contains a 1x/1.5x chargepump, as well as seven current sinks that are configured into a main display bank of four or five WLEDs and a sub-display bank of two WLEDs. Additionally, the fifth main display WLED can be configured to drive an aux display at up to 80 mA for backlighting a keypad or a weak camera flash.

2 Setup

This chapter describes the jumpers and connectors on the EVM, as well as how to properly connect, set up, and use the TPS60251EVM-192.

2.1 Input/Output Connector Descriptions

J1 – VIN

This is the positive input voltage connection to the converter. The EVM operates from any supply voltage between 3 V and 6 V. The leads to the input supply should be twisted and kept as short as possible to minimize EMI transmission and input voltage droop.

J2 – GND

This is the input return connection for the input power supply.

J3 – USB to GPIO Connector

This is the connector for the interface box. Connect the ribbon cable from the USB-to-GPIO (HPA172) interface box to this connector.

J4 – VIO

This is the positive input voltage for the I²C circuitry. Connect an input supply from 1.8 V to the VIN input voltage to set the VIL and VIH levels for the I²C circuitry.

J5 – VLED CATHODE DM5

This is the DM5 connection for using an external aux display WLED bank. Connect the cathode(s) of the external aux display bank to this input.

J6 – VLED ANODE DM5

This is the anode connection for using an external aux display WLED bank. Connect the anode(s) of the external aux display bank to this output.

JP1 – DM1

JP1 is used to connect the cathode of the DM1 LED to the DM1 pin on the TPS60251. Place a shunt on JP1 to connect the WLED to the DM1 input. Remove the shunt to measure the DM1 current or use an external WLED for DM1.

JP2 – DM2

JP2 is used to connect the cathode of the DM2 LED to the DM2 pin on the TPS60251. Place a shunt on JP2 to connect the WLED to the DM2 input. Remove the shunt to measure the DM2 current or use an external WLED for DM2.

JP3 – DM3

JP3 is used to connect the cathode of the DM3 LED to the DM3 pin on the TPS60251. Place a shunt on JP3 to connect the WLED to the DM3 input. Remove the shunt to measure the DM3 current or use an external WLED for DM3.

JP4 – DM4

JP4 is used to connect the cathode of the DM4 LED to the DM4 pin on the TPS60251. Place a shunt on JP4 to connect the WLED to the DM4 input. Remove the shunt to measure the DM4 current or use an external WLED for DM4.

JP5 – DM5

JP5 is used to connect the cathode of the DM5 LED to the DM5 pin on the TPS60251. Place a shunt on JP5 to connect the WLED to the DM5 input. Remove the shunt to measure the DM5 current or use an external WLED for DM5.

JP6 – DS1

JP6 is used to connect the cathode of the DS1 LED to the DS1 pin on the TPS60251. Place a shunt on JP6 to connect the WLED to the DS1 input. Remove the shunt to measure the DS1 current or use an external WLED for DS1.

JP7 – DS2

JP7 is used to connect the cathode of the DS2 LED to the DS3 pin on the TPS60251. Place a shunt on JP7 to connect the WLED to the DS2 input. Remove the shunt to measure the DS2 current or use an external WLED for DS2.

JP8 – EN

JP8 is used as the hardware enable for the TPS60251. Place a shunt in the ON position to turn the TPS60251 on. Place a shunt in the OFF position to turn TPS60251 off. All internal register values are defaulted to 0x00 when JP1 is placed in the OFF position.

2.2 Equipment Requirements

For this EVM to operate properly, the following components must be connected and properly configured.

2.2.1 Personal Computer

A computer with a USB port is required to operate this EVM. The TPS60251 interface software, which is run on the personal computer (PC), communicates with the EVM via the PC USB port. The user sends commands to the EVM and reads the contents of the TPS60251 internal registers through the USB port.

2.2.2 Printed Circuit Board Assembly

The TPS60251EVM-192 PCB contains the TPS60251 IC and its required external components. This board contains several jumpers and connectors that allow the user to customize the board for specific operating conditions.

2.2.3 USB to I²C Adapter

The HPA172 is the link that allows the PC and the EVM to communicate. The adapter connects to the PC with the supplied USB cable on one side and to the EVM through the supplied ribbon cable on the other. When the user writes a command to the EVM, the interface program, which is run from the PC, sends the command to the PC USB port. The adapter receives the USB command and converts the signal to an I²C protocol. It then sends the I²C signal to the TPS60251 board. When the user reads a status register from the EVM, the PC sends a command to read a register on the EVM. When the EVM receives the command, it reports the status of the register via the I²C interface. The adapter receives the information on the I²C interface, converts it to a USB protocol, and sends it to the PC.

2.2.4 Software

Texas Instruments provides software to assist the user in evaluating this EVM. To install the software, insert the enclosed CD into your computer. The software should start automatically. If it does not, go to <Start>, <Run>, and type D:\setup.exe, and click <OK> (assuming that D: is your CD drive). Check the TPS60251 product folder on the TI Web site for the latest version of the software.

2.2.5 Power Supplies

The TPS60251 EVM requires two power supplies for operation.

2.3 Operation

The following steps must be followed before the EVM can be operated.

1. Install the TPS6025xEVM software.
2. Configure all EVM jumpers to the factory settings in [Table 1](#).
3. Connect the ribbon cable between the EVM and the USB-TO-GPIO (HPA172) adapter.
4. Connect the USB cable between the computer and USB-TO-GPIO adapter.
5. Connect the input voltages to the EVM.
6. Run the TPS6025xEVM software.

Table 1. Factory EVM Jumper Settings

Jumper	Shunt Location
JP1	Installed
JP2	Installed
JP3	Installed
JP4	Installed
JP5	Installed
JP6	Installed
JP7	Installed
JP8	Between ON and EN

2.3.1 TPS6025x Software Operation

The software is designed to work with the entire TPS6025x family of devices. A screenshot of the software is shown in [Figure 1](#). The software should automatically detect which device the user is trying to operate and select the correct features accordingly. If the software is started before the EVM is connected, the correct device may not be detected. If this occurs, the different modes are selectable using the Tools pulldown menu.

When in the TPS60251 mode, the value of R_{is} (R3) is selectable. The EVM comes with a 562-k Ω resistor installed at R3, which sets the maximum current to 25.5 mA. R3 may be replaced with a resistor value between 562 k Ω and 5 M Ω to change the maximum current. If R3 is replaced, change the value for R_{is} in the software, and the current level settings are automatically updated.

2.3.1.1 Display Enable Settings

This portion of the software allows the user to enable/disable the different banks of LEDs using simple pushbuttons. Open lamp detection may be enabled/disabled using the provided pushbutton. Refer to the TPS60251 data sheet for a description of the open lamp detection. Additionally, a pulldown box is available to control the aux display settings. The aux display may be grouped with main display or set for the separate high-current (80 mA) aux display. When using the high-current setting, it is suggested that separate LEDs are connected between the J5 (cathode connection) and J6 (anode connection) connectors. The LEDs installed on the EVM are rated for 30-mA dc current and may be damaged at the higher current. Selecting the shutdown option in the Aux Display pulldown menu disables all of the LEDs and places the IC in a low-power shutdown mode. The internal registers are not changed in this mode.

2.3.1.2 Current Level Settings

This portion of the software allows the user to select the LED current for each of the banks of LEDs. Note that when the aux display is "Grouped with Main Display", the current level for both the aux display and the main display is adjusted with the main display pulldown box. The values in the pulldown boxes change based on the selected value for R_{is} .

2.3.1.3 General Device Settings

This portion of the software allows the user to select the address of the device used. The EVM comes installed with the primary address device installed. Contact the factory for the secondary address device availability. The mode select allows the user to set the mode of the TPS60251 chargepump. Refer to the data sheet for the description of the available modes.

2.3.1.4 Device Register Map

This portion of the software allows the user to change the registers on a bit level. When selecting a bit in the register map, the description of the bit is shown on the bottom bar of the software.

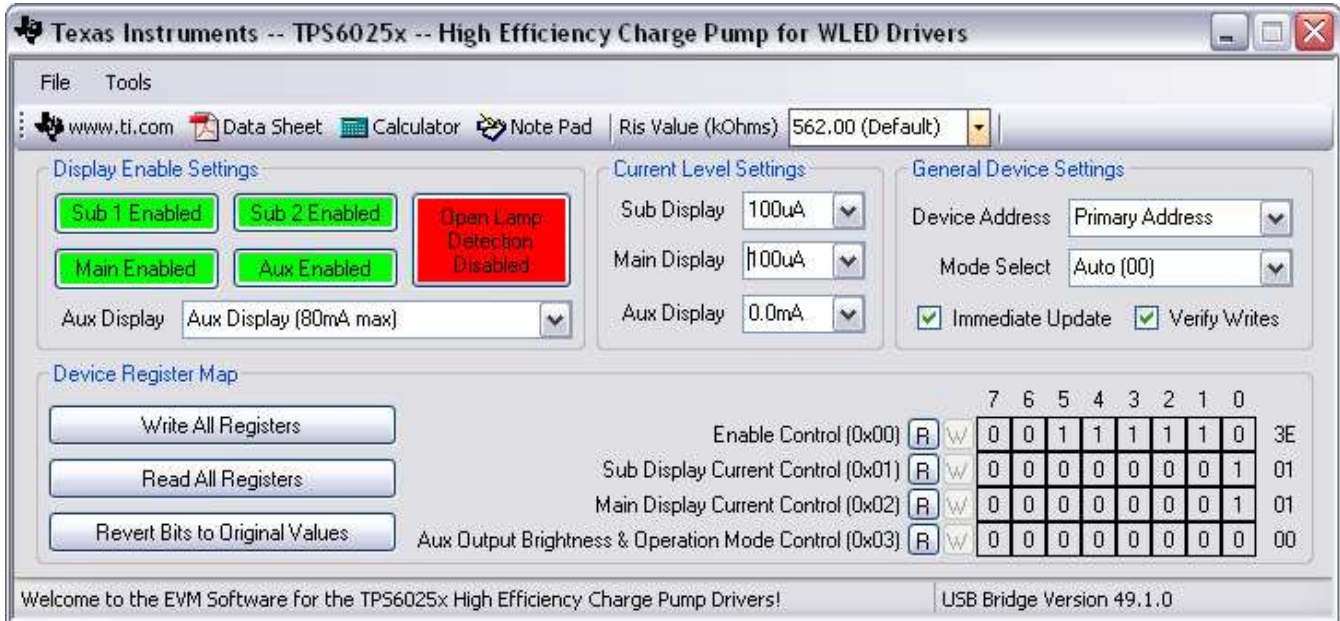


Figure 1. TPS6025x Software Screenshot

3 Board Layout

This chapter provides the TPS60251EVM-192 board layout and illustrations.

3.1 Layout

Board layout is critical for all switch mode power supplies. Figure 2 through Figure 4 show the board layout for the TPS60251EVM-192 PWB.

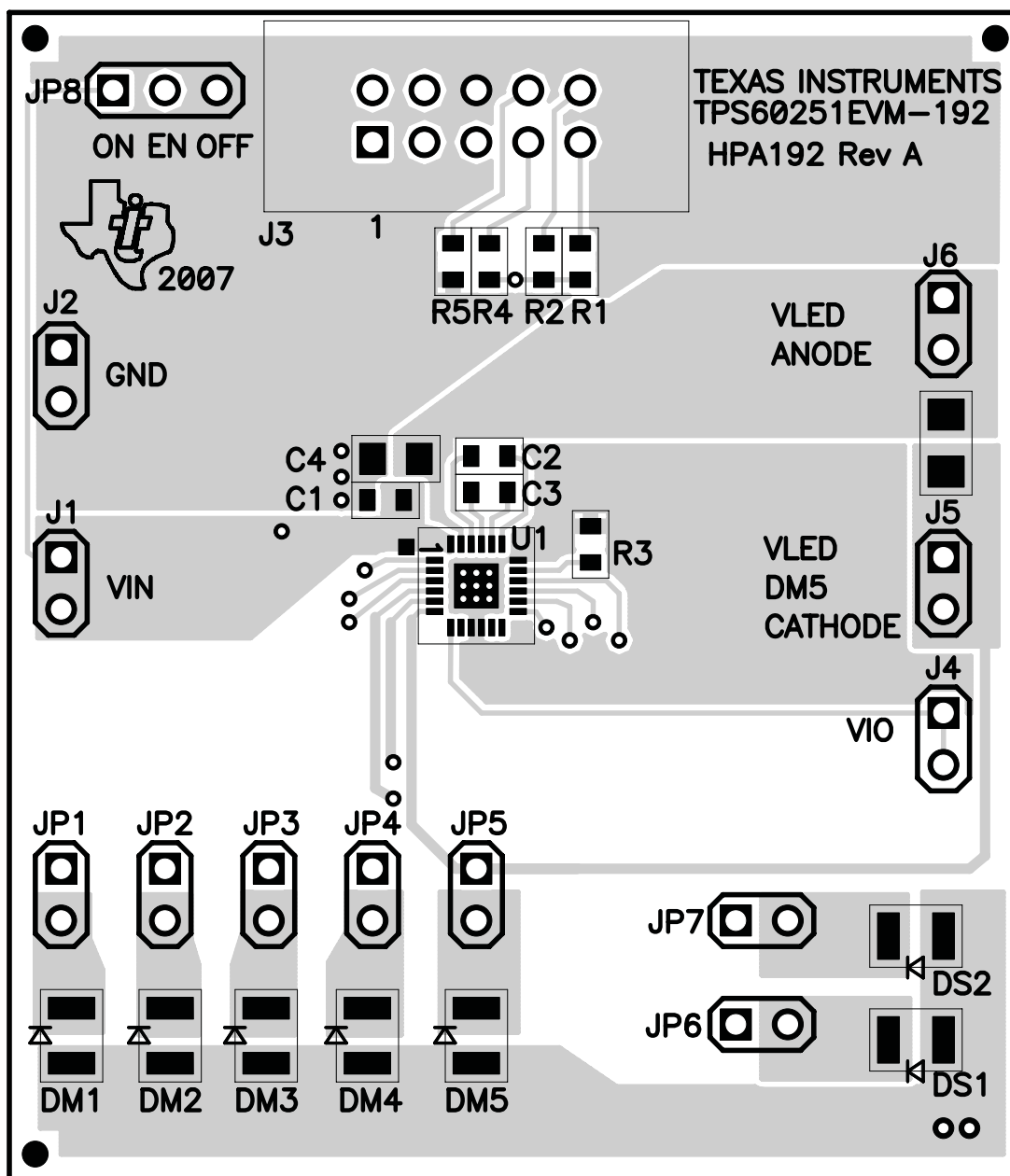


Figure 2. Assembly Layer

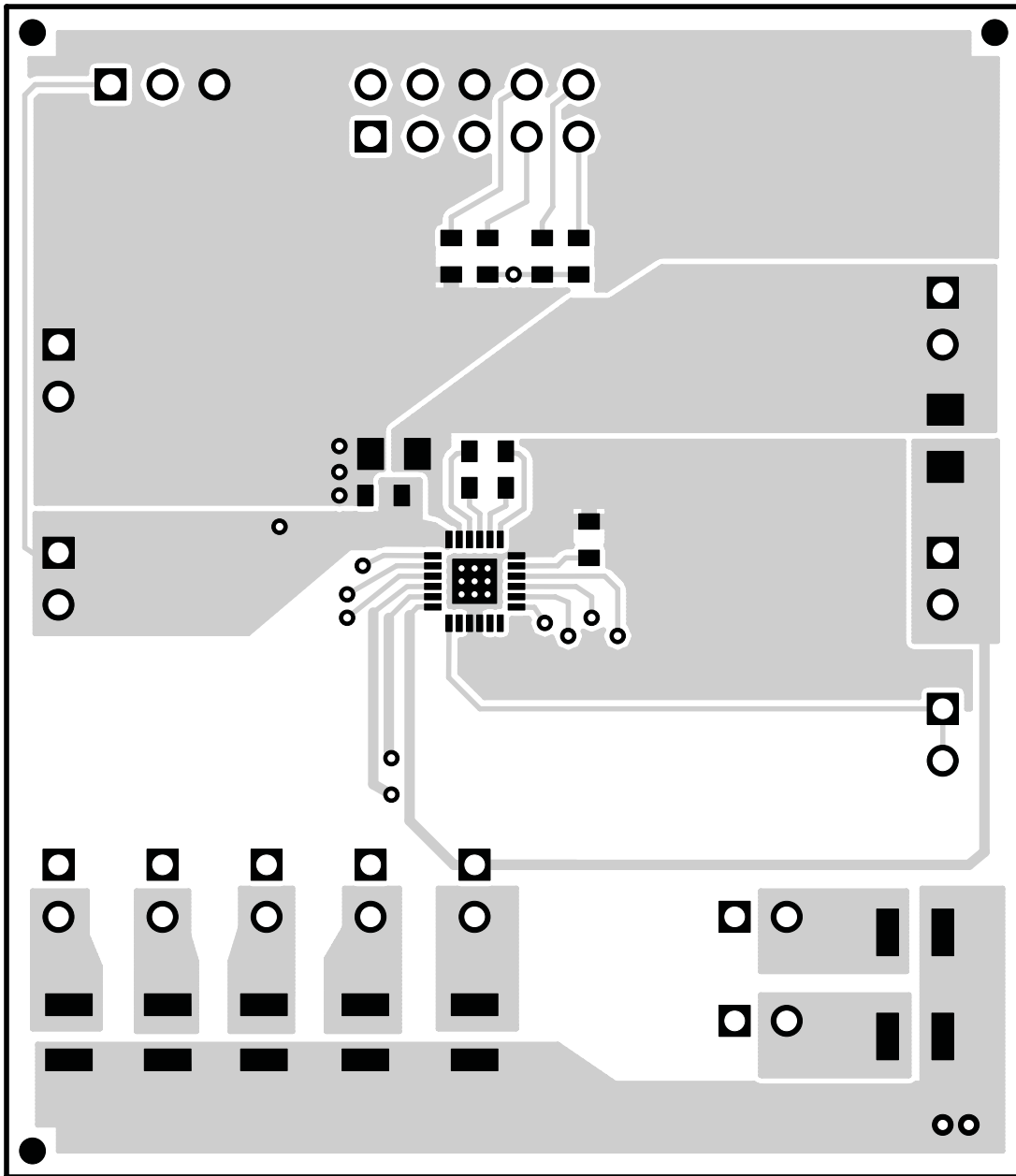


Figure 3. Top Layer Routing

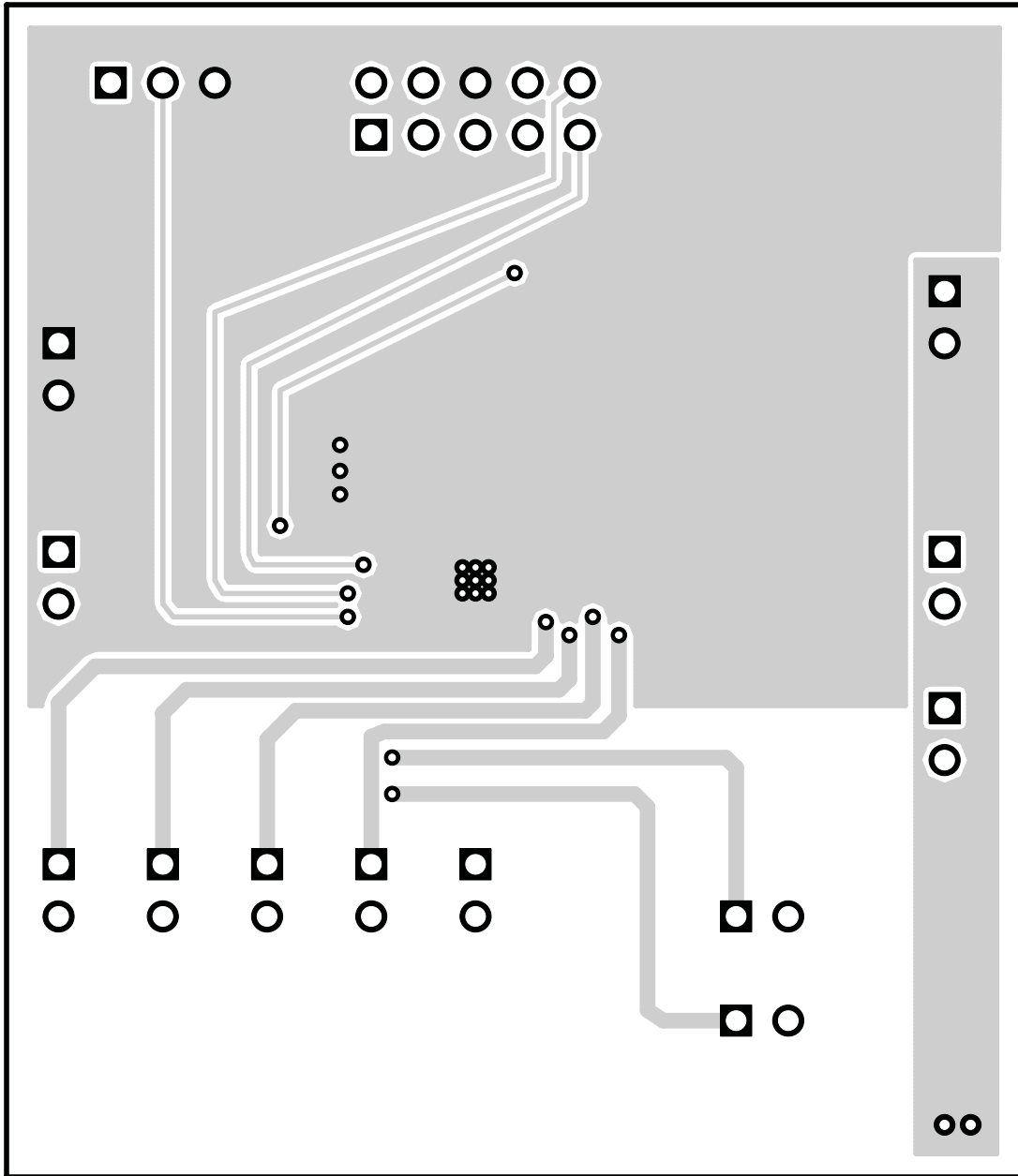


Figure 4. Bottom Layer Routing

4 Schematic and Bill of Materials

This chapter provides the TPS60251EVM-192 schematic and bill of materials.

4.1 Schematic

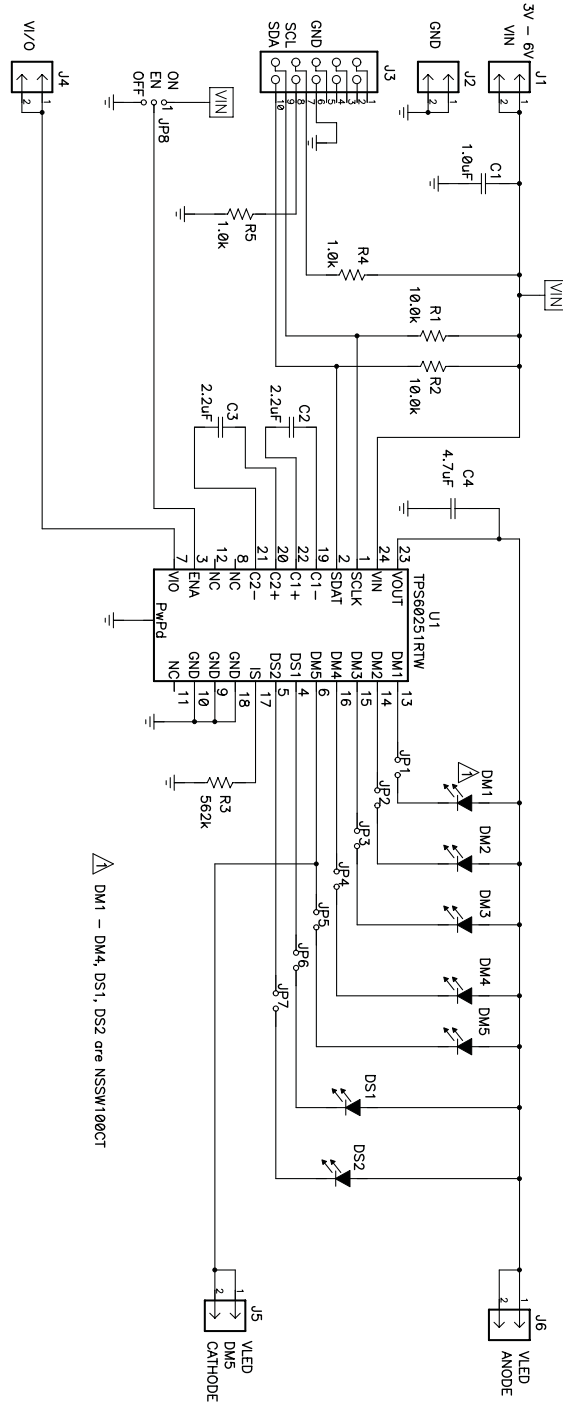


Figure 5. TPS60251EVM-192 Schematic

4.2 Bill of Materials

Table 2. TPS60251EVM-192 Bill of Materials

Count	RefDes	Value	Description	Size	Part Number	MFR
1	C1	1.0uF	Capacitor, Ceramic, 25V, X5R, 10%	0603	GRM188R61E105KA12	muRata
2	C2, C3	2.2uF	Capacitor, Ceramic, 10V, X5R, 10%	0603	GRM188R61A225KE34	muRata
1	C4	4.7uF	Capacitor, Ceramic, 10V, X5R, 10%	0805	GRM21BR61A475KA73	muRata
5	DM1 - DM5		Diode, LED, White	0.079 × 0.118	NSSW100CT	Nichia
2	DS1, DS2		Diode, LED, White	0.079 × 0.118	NSSW100CT	Nichia
5	J1, J2, J4, J5, J6		Header, 2 pin, 100mil spacing, (36-pin strip)	0.100 × 2	PTC36SAAN	Sullins
1	J3		Connector, Male Straight 2 × 5 pin, 100mil spacing, 4 Wall	0.338 × 0.788	2510-6002UB	3M
7	JP1 - JP7		Header, 2 pin, 100mil spacing, (36-pin strip)	0.100 × 2	PTC36SAAN	Sullins
1	JP8		Header, 3 pin, 100mil spacing, (36-pin strip)	0.100 × 3	PTC36SAAN	Sullins
2	R1, R2	10.0k	Resistor, Chip, 1/16W, 1%	0603	STD	STD
1	R3	562k	Resistor, Chip, 1/16W, 1%	0603	STD	Std
2	R4, R5	1.0k	Resistor, Chip, 1/16W, 1%	0603	STD	STD
1	U1		IC, Hi-Efficiency Charge Pump, WLED drivers	QFN-24	TPS60251RTW	TI
1	--		PCB, 2.25 In × 1.95 In × 0.062 In		HPA192	Any
8	--		Shunt, 100mil, Black	0.100	929950-00	3M

Related Documentation From Texas Instruments

TPS60251 data sheet (SLVS767)

EVALUATION BOARD/KIT IMPORTANT NOTICE

Texas Instruments (TI) provides the enclosed product(s) under the following conditions:

This evaluation board/kit is intended for use for **ENGINEERING DEVELOPMENT, DEMONSTRATION, OR EVALUATION PURPOSES ONLY** and is not considered by TI to be a finished end-product fit for general consumer use. Persons handling the product(s) must have electronics training and observe good engineering practice standards. As such, the goods being provided are not intended to be complete in terms of required design-, marketing-, and/or manufacturing-related protective considerations, including product safety and environmental measures typically found in end products that incorporate such semiconductor components or circuit boards. This evaluation board/kit does not fall within the scope of the European Union directives regarding electromagnetic compatibility, restricted substances (RoHS), recycling (WEEE), FCC, CE or UL, and therefore may not meet the technical requirements of these directives or other related directives.

Should this evaluation board/kit not meet the specifications indicated in the User's Guide, the board/kit may be returned within 30 days from the date of delivery for a full refund. **THE FOREGOING WARRANTY IS THE EXCLUSIVE WARRANTY MADE BY SELLER TO BUYER AND IS IN LIEU OF ALL OTHER WARRANTIES, EXPRESSED, IMPLIED, OR STATUTORY, INCLUDING ANY WARRANTY OF MERCHANTABILITY OR FITNESS FOR ANY PARTICULAR PURPOSE.**

The user assumes all responsibility and liability for proper and safe handling of the goods. Further, the user indemnifies TI from all claims arising from the handling or use of the goods. Due to the open construction of the product, it is the user's responsibility to take any and all appropriate precautions with regard to electrostatic discharge.

EXCEPT TO THE EXTENT OF THE INDEMNITY SET FORTH ABOVE, NEITHER PARTY SHALL BE LIABLE TO THE OTHER FOR ANY INDIRECT, SPECIAL, INCIDENTAL, OR CONSEQUENTIAL DAMAGES.

TI currently deals with a variety of customers for products, and therefore our arrangement with the user **is not exclusive**.

TI assumes **no liability for applications assistance, customer product design, software performance, or infringement of patents or services described herein.**

Please read the User's Guide and, specifically, the Warnings and Restrictions notice in the User's Guide prior to handling the product. This notice contains important safety information about temperatures and voltages. For additional information on TI's environmental and/or safety programs, please contact the TI application engineer or visit www.ti.com/esh.

No license is granted under any patent right or other intellectual property right of TI covering or relating to any machine, process, or combination in which such TI products or services might be or are used.

FCC Warning

This evaluation board/kit is intended for use for **ENGINEERING DEVELOPMENT, DEMONSTRATION, OR EVALUATION PURPOSES ONLY** and is not considered by TI to be a finished end-product fit for general consumer use. It generates, uses, and can radiate radio frequency energy and has not been tested for compliance with the limits of computing devices pursuant to part 15 of FCC rules, which are designed to provide reasonable protection against radio frequency interference. Operation of this equipment in other environments may cause interference with radio communications, in which case the user at his own expense will be required to take whatever measures may be required to correct this interference.

EVM WARNINGS AND RESTRICTIONS

It is important to operate this EVM within the input voltage range of 0 V to 6 V and the output voltage range of 80 mV to 6.5 V.

Exceeding the specified input range may cause unexpected operation and/or irreversible damage to the EVM. If there are questions concerning the input range, please contact a TI field representative prior to connecting the input power.

Applying loads outside of the specified output range may result in unintended operation and/or possible permanent damage to the EVM. Please consult the EVM User's Guide prior to connecting any load to the EVM output. If there is uncertainty as to the load specification, please contact a TI field representative.

During normal operation, some circuit components may have case temperatures greater than 100°C. The EVM is designed to operate properly with certain components above 100°C as long as the input and output ranges are maintained. These components include but are not limited to linear regulators, switching transistors, pass transistors, and current sense resistors. These types of devices can be identified using the EVM schematic located in the EVM User's Guide. When placing measurement probes near these devices during operation, please be aware that these devices may be very warm to the touch.

Mailing Address: Texas Instruments, Post Office Box 655303, Dallas, Texas 75265
Copyright © 2007, Texas Instruments Incorporated

IMPORTANT NOTICE

Texas Instruments Incorporated and its subsidiaries (TI) reserve the right to make corrections, modifications, enhancements, improvements, and other changes to its products and services at any time and to discontinue any product or service without notice. Customers should obtain the latest relevant information before placing orders and should verify that such information is current and complete. All products are sold subject to TI's terms and conditions of sale supplied at the time of order acknowledgment.

TI warrants performance of its hardware products to the specifications applicable at the time of sale in accordance with TI's standard warranty. Testing and other quality control techniques are used to the extent TI deems necessary to support this warranty. Except where mandated by government requirements, testing of all parameters of each product is not necessarily performed.

TI assumes no liability for applications assistance or customer product design. Customers are responsible for their products and applications using TI components. To minimize the risks associated with customer products and applications, customers should provide adequate design and operating safeguards.

TI does not warrant or represent that any license, either express or implied, is granted under any TI patent right, copyright, mask work right, or other TI intellectual property right relating to any combination, machine, or process in which TI products or services are used. Information published by TI regarding third-party products or services does not constitute a license from TI to use such products or services or a warranty or endorsement thereof. Use of such information may require a license from a third party under the patents or other intellectual property of the third party, or a license from TI under the patents or other intellectual property of TI.

Reproduction of TI information in TI data books or data sheets is permissible only if reproduction is without alteration and is accompanied by all associated warranties, conditions, limitations, and notices. Reproduction of this information with alteration is an unfair and deceptive business practice. TI is not responsible or liable for such altered documentation. Information of third parties may be subject to additional restrictions.

Resale of TI products or services with statements different from or beyond the parameters stated by TI for that product or service voids all express and any implied warranties for the associated TI product or service and is an unfair and deceptive business practice. TI is not responsible or liable for any such statements.

TI products are not authorized for use in safety-critical applications (such as life support) where a failure of the TI product would reasonably be expected to cause severe personal injury or death, unless officers of the parties have executed an agreement specifically governing such use. Buyers represent that they have all necessary expertise in the safety and regulatory ramifications of their applications, and acknowledge and agree that they are solely responsible for all legal, regulatory and safety-related requirements concerning their products and any use of TI products in such safety-critical applications, notwithstanding any applications-related information or support that may be provided by TI. Further, Buyers must fully indemnify TI and its representatives against any damages arising out of the use of TI products in such safety-critical applications.

TI products are neither designed nor intended for use in military/aerospace applications or environments unless the TI products are specifically designated by TI as military-grade or "enhanced plastic." Only products designated by TI as military-grade meet military specifications. Buyers acknowledge and agree that any such use of TI products which TI has not designated as military-grade is solely at the Buyer's risk, and that they are solely responsible for compliance with all legal and regulatory requirements in connection with such use.

TI products are neither designed nor intended for use in automotive applications or environments unless the specific TI products are designated by TI as compliant with ISO/TS 16949 requirements. Buyers acknowledge and agree that, if they use any non-designated products in automotive applications, TI will not be responsible for any failure to meet such requirements.

Following are URLs where you can obtain information on other Texas Instruments products and application solutions:

Products		Applications	
Amplifiers	amplifier.ti.com	Audio	www.ti.com/audio
Data Converters	dataconverter.ti.com	Automotive	www.ti.com/automotive
DSP	dsp.ti.com	Broadband	www.ti.com/broadband
Interface	interface.ti.com	Digital Control	www.ti.com/digitalcontrol
Logic	logic.ti.com	Military	www.ti.com/military
Power Mgmt	power.ti.com	Optical Networking	www.ti.com/opticalnetwork
Microcontrollers	microcontroller.ti.com	Security	www.ti.com/security
RFID	www.ti-rfid.com	Telephony	www.ti.com/telephony
Low Power Wireless	www.ti.com/lpw	Video & Imaging	www.ti.com/video
		Wireless	www.ti.com/wireless

Mailing Address: Texas Instruments, Post Office Box 655303, Dallas, Texas 75265
Copyright © 2007, Texas Instruments Incorporated